



**ELECTRICAL AND DATA CABLE INSTALLATION**

**for**

**Washington Metropolitan Area Transit Authority**

**Contract Number FQ17021**

**VOLUME 3**

**Drawings Part 4b**  
**NEW AFC Equipment Layout**  
**Green and Yellow Lines**

**December 21, 2016**

WASHINGTON METROPOLITAN AREA TRANSIT AUTHORITY

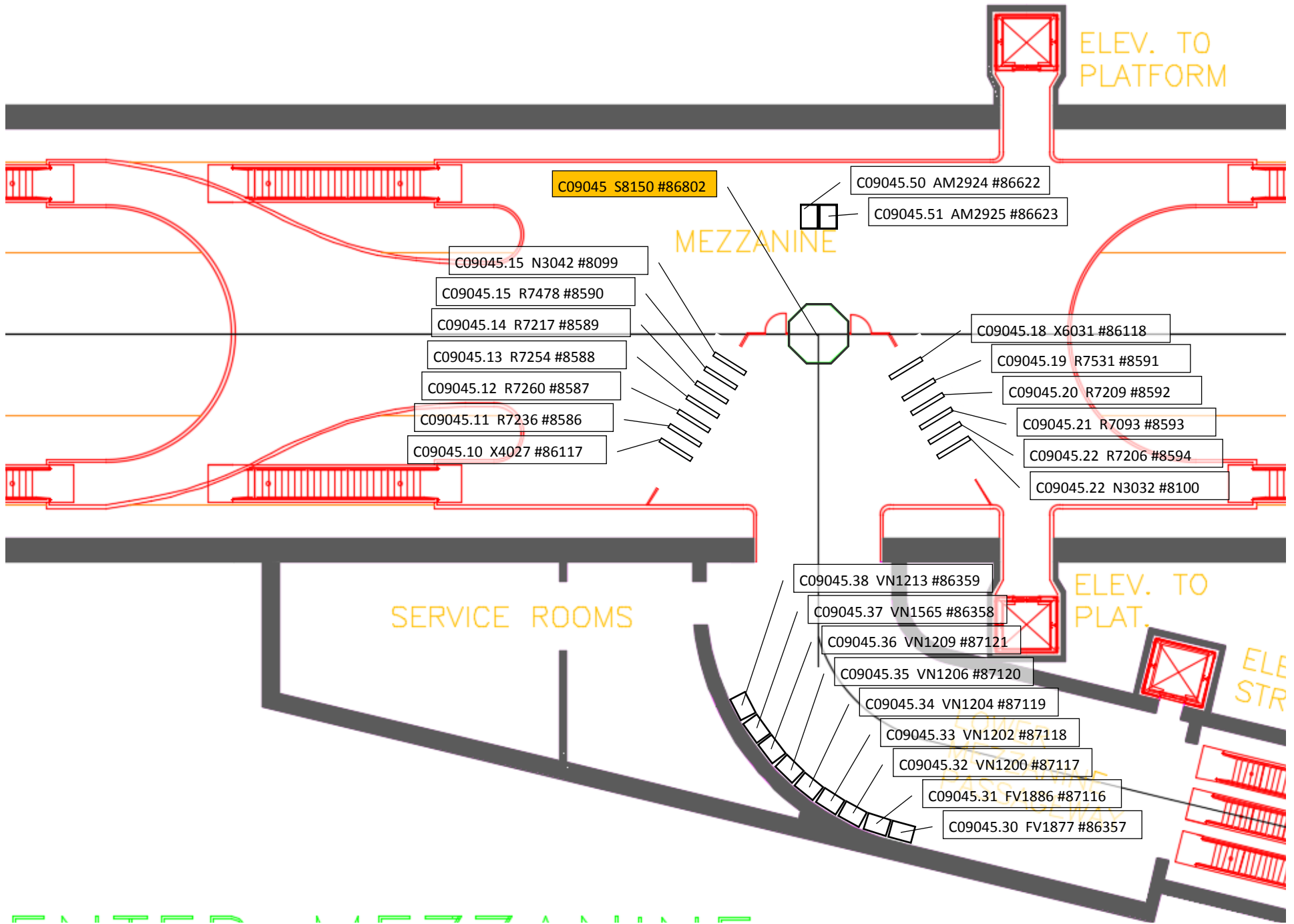
PAGE NO.

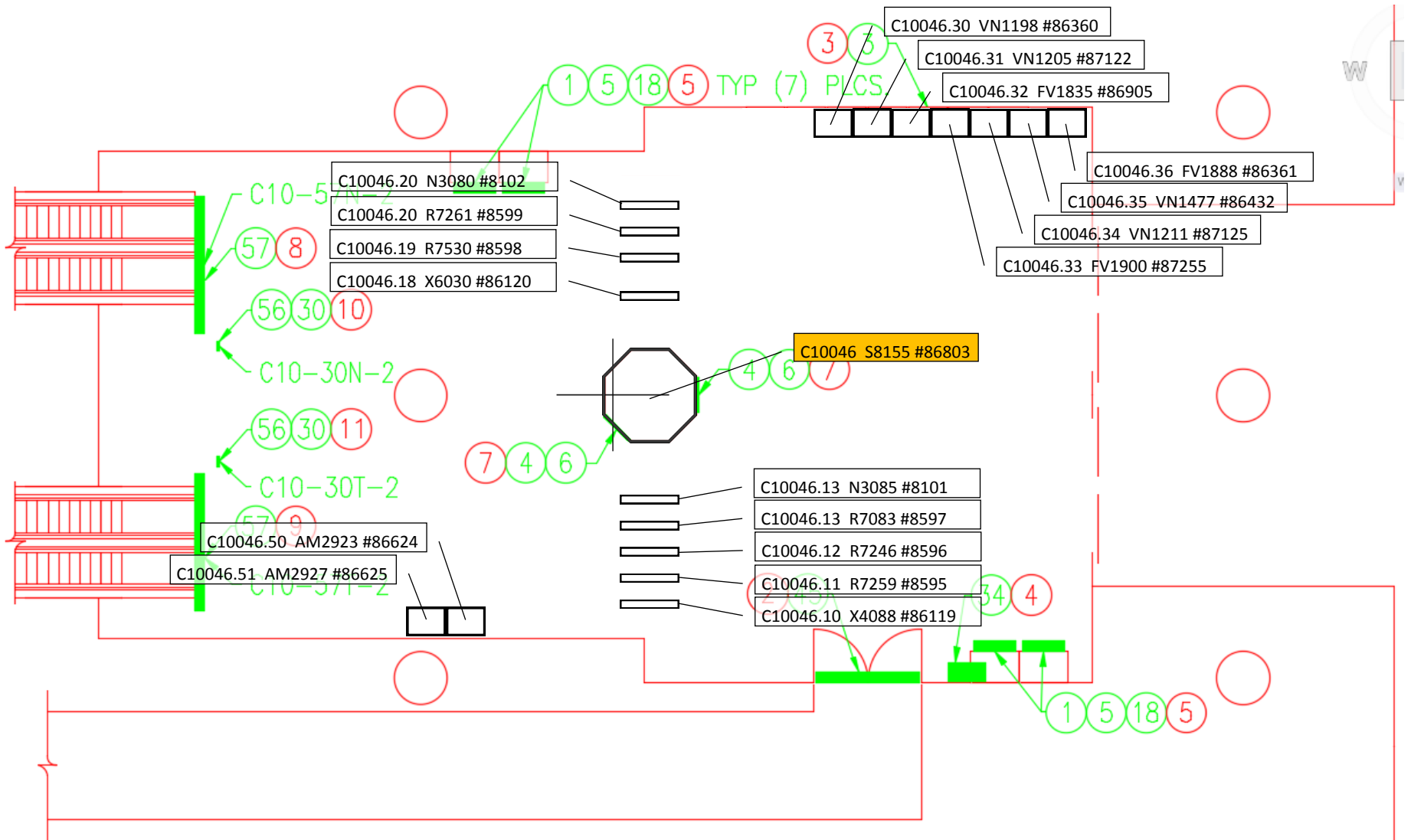
VOLUME 3 DRAWINGS PART 4b

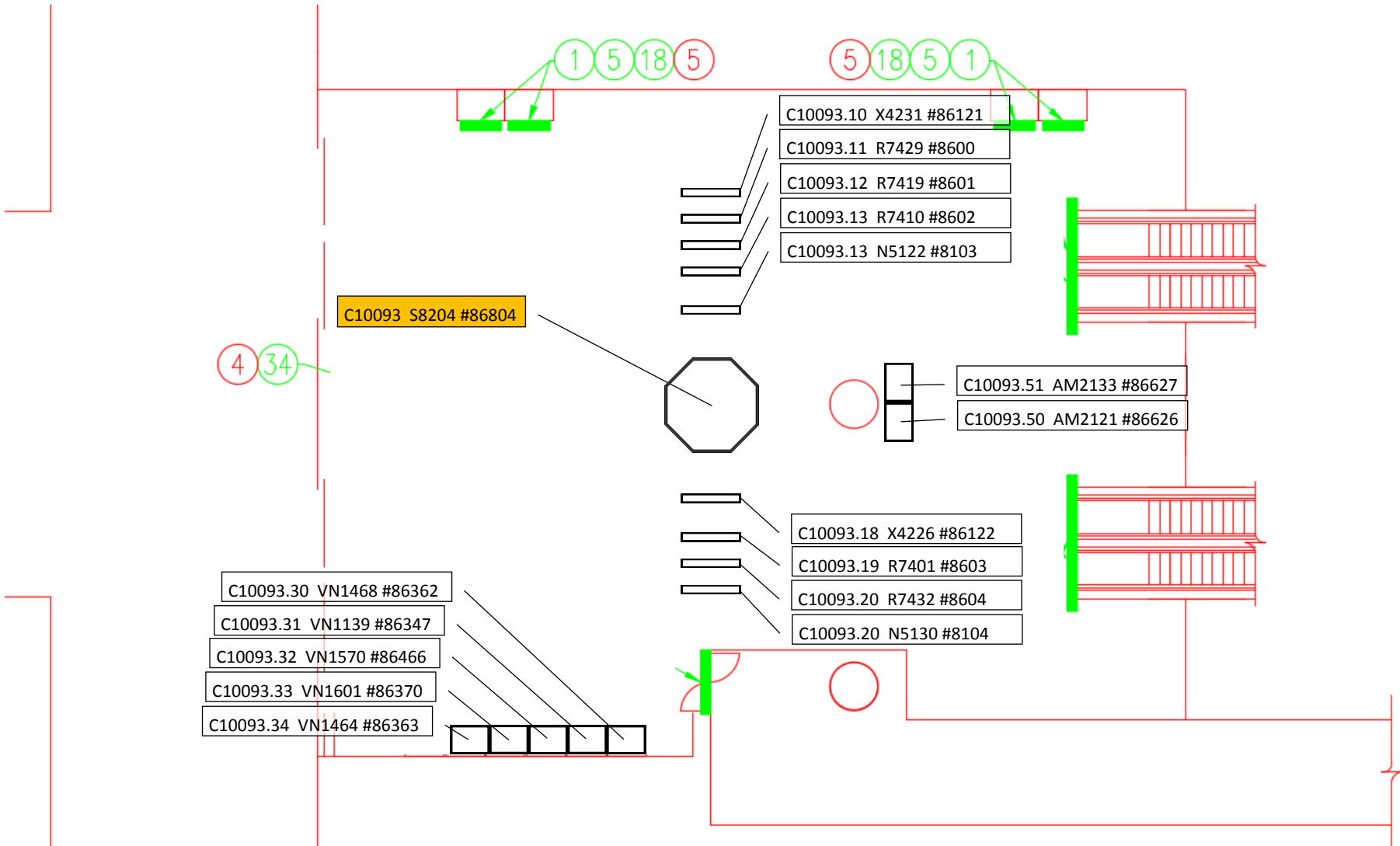
**NEW AFC EQUIPMENT LAYOUT  
GREEN, YELLOW & RED LINES**

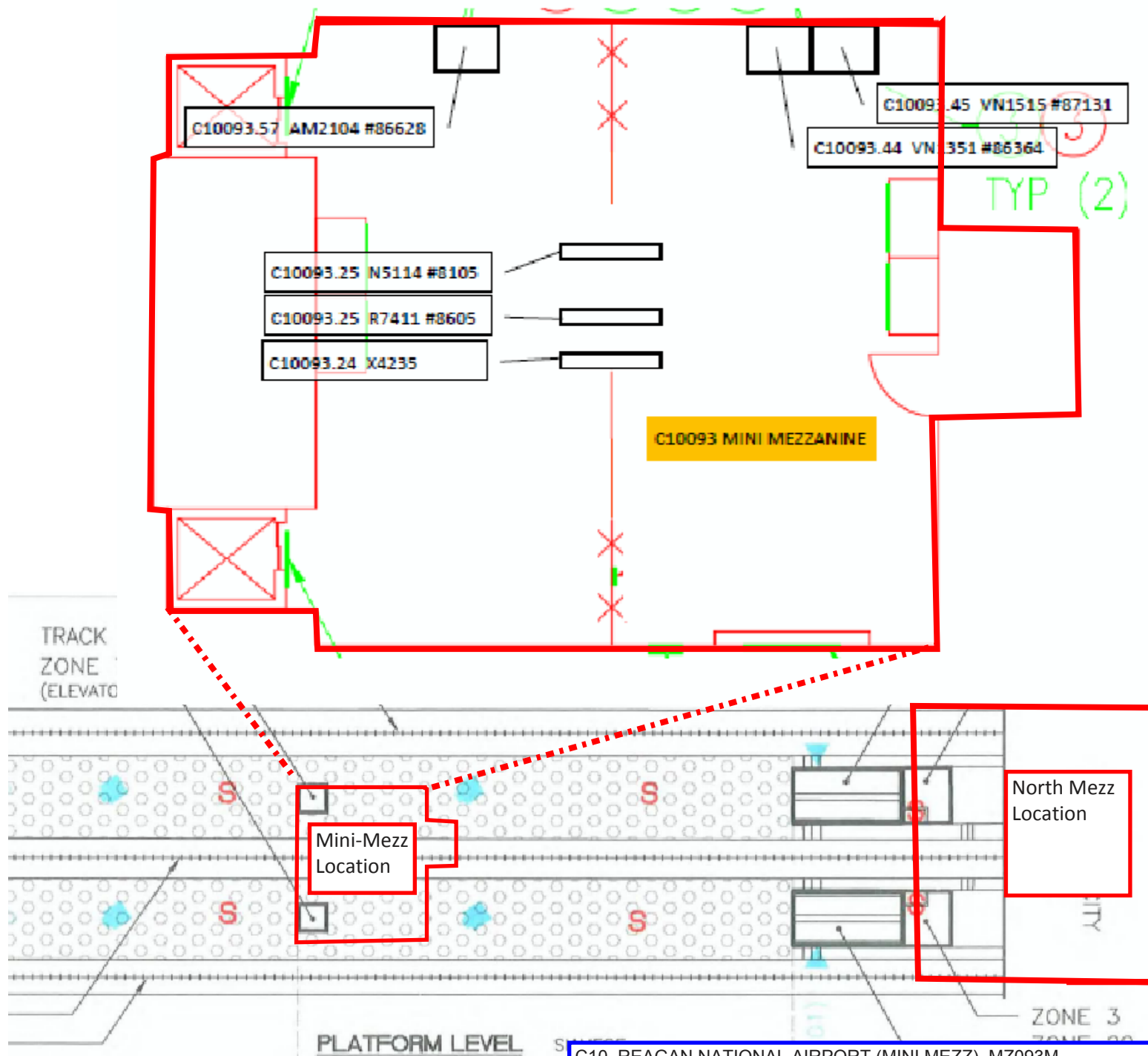
**TABLE OF CONTENTS**

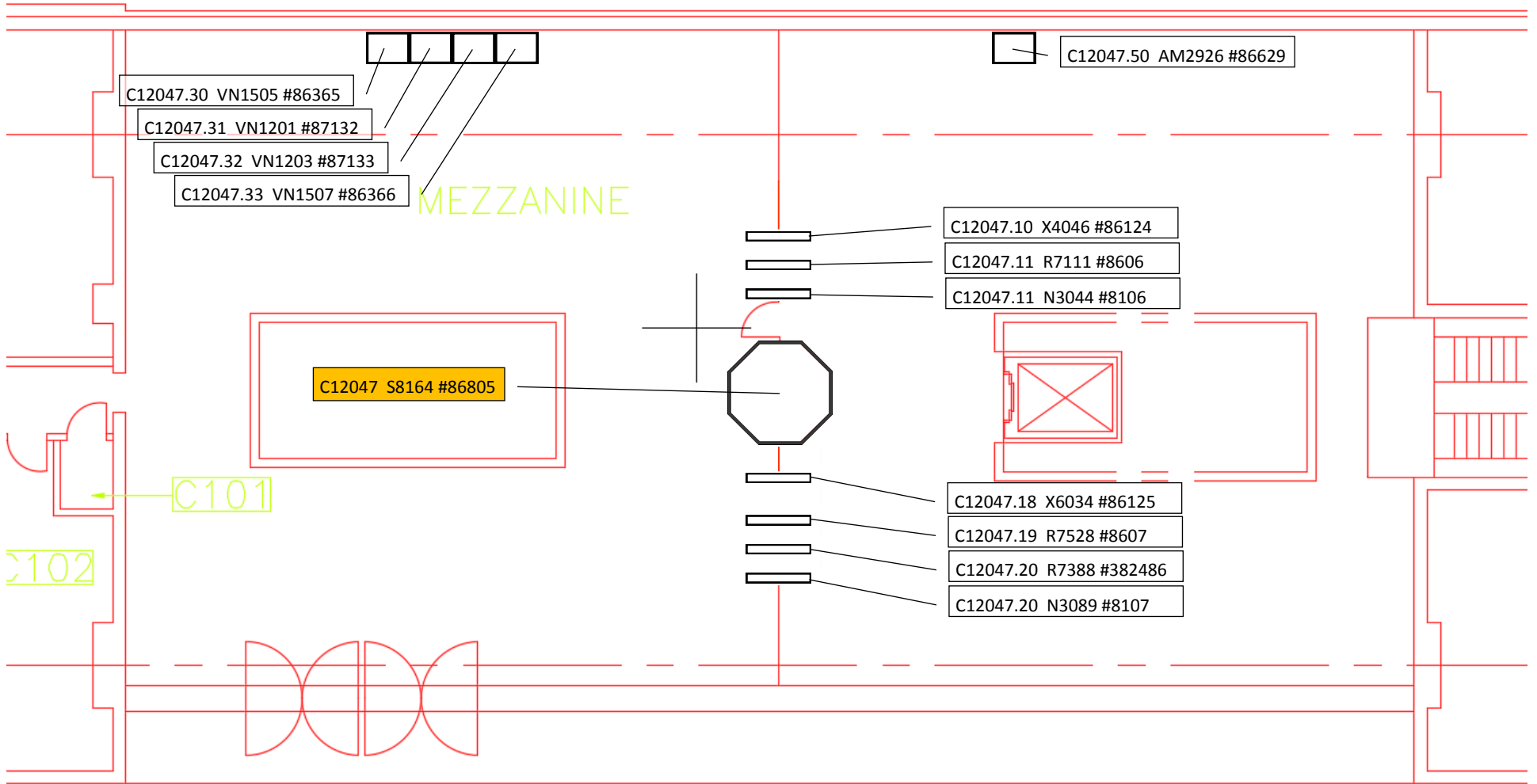
1	MP_C09_CRYSTAL CITY_MZ045	3
2	MP_C10_REAGAN NATIONAL AIRPORT (SOUTH MEZZ)_MZ046	6
3	MP_C10_REAGAN NATIONAL AIRPORT (NORTH MEZZ)_MZ093	
4	MP_C10_REAGAN NATIONAL AIRPORT (MINI MEZZ)_MZ093M	
5	MP_C12_BRADDOCK ROAD_MZ047	8
6	MP_C13_KING STREET-OLD TOWN_MZ048	10
7	MP_C13_KING STREET-OLD TOWN (NEW ENTRANCE)_MZ048M	
8	MP_C13_KING STREET-OLD TOWN (NORTH MEZZ)_MZ112	
9	MP_C15_HUNTINGTON (NORTH MEZZANINE)_MZ050	12
10	MP_C15_HUNTINGTON (SOUTH MEZZANINE)_MZ051	14
11	MP_E01_MOUNT VERNON SQUARE_MZ070	16
12	MP_E02_SHAW-HOWARD U (SOUTH MEZZANINE)_MZ071	18
13	MP_E02_SHAW-HOWARD U (NORTH MEZZANINE)_MZ072	20
14	MP_E03_U STREET (EAST MEZZANINE)_MZ073	22
15	MP_E03_U STREET (WEST MEZZANINE)_MZ074	24
16	MP_E05_GEORGIA AVENUE_MZ076	
17	MP_E07_WEST HYATTSVILLE_MZ077	27
18	MP_E08_PRINCE GEORGE'S PLAZA_MZ078	29
19	MP_E09_COLLEGE PARK_MZ079	30
20	MP_E10_GREENBELT_MZ080	34
21	MP_F02_ARCHIVES_MZ081	38
22	MP_F03_L'ENFANT PLAZA (NORTH MEZZANINE)_MZ082	40
23	MP_F04_WATERFRONT_MZ083	42
24	MP_F05_NAVY YARD-BALLPARK (WEST MEZZANINE)_MZ105	46
25	MP_F06_ANACOSTIA (NORTH MEZZANINE)_MZ085	49
26	MP_F06_ANACOSTIA (SOUTH MEZZANINE)_MZ106	52
27	MP_F07_CONGRESS HEIGHTS_MZ086	
28	MP_F08_SOUTHERN AVENUE_MZ107	
29	MP_F09_NAYLOR ROAD_MZ087	
30	MP_F11_BRANCH AVENUE_MZ089	

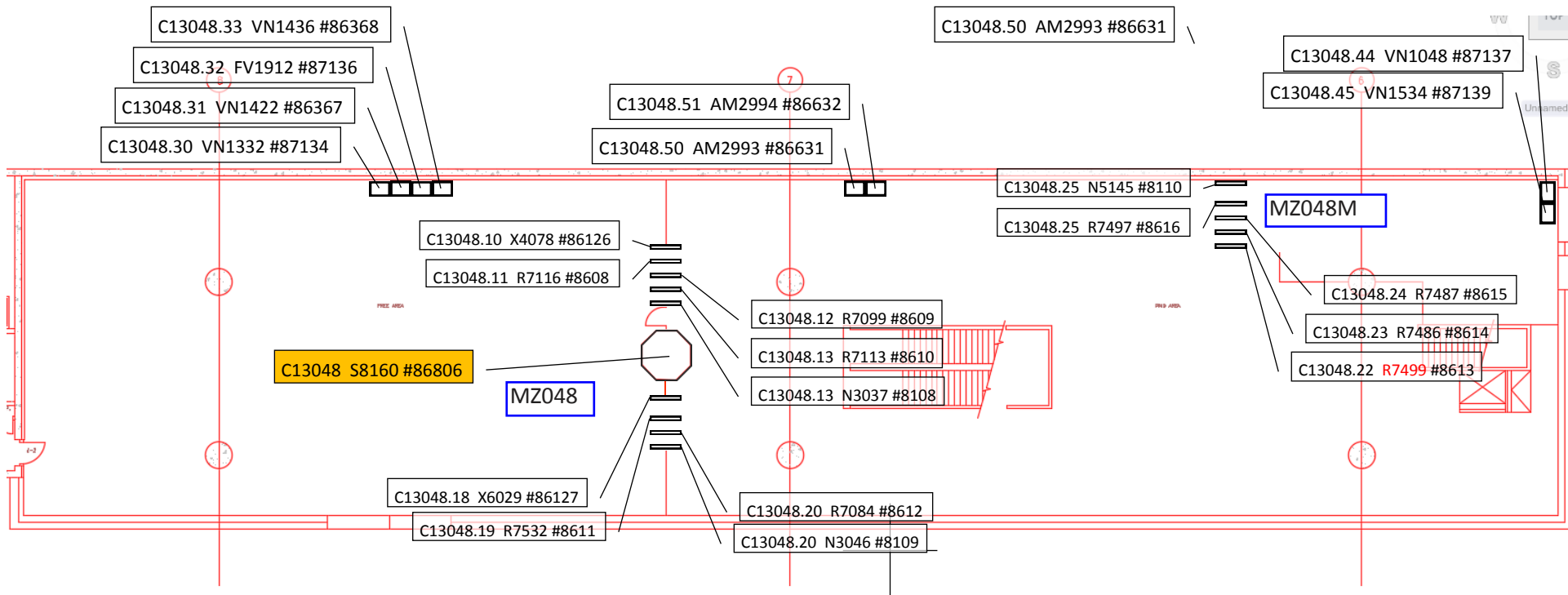




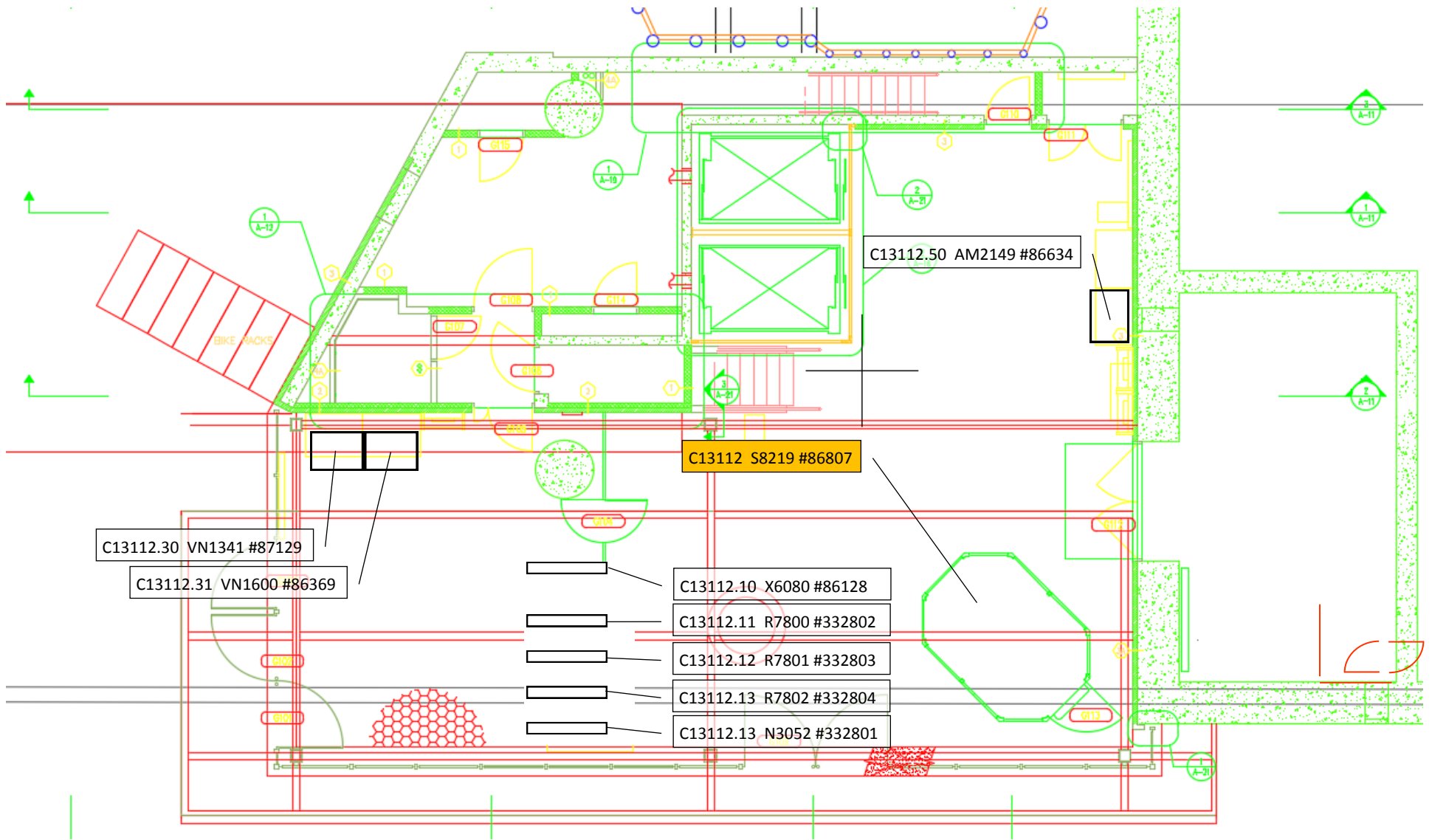


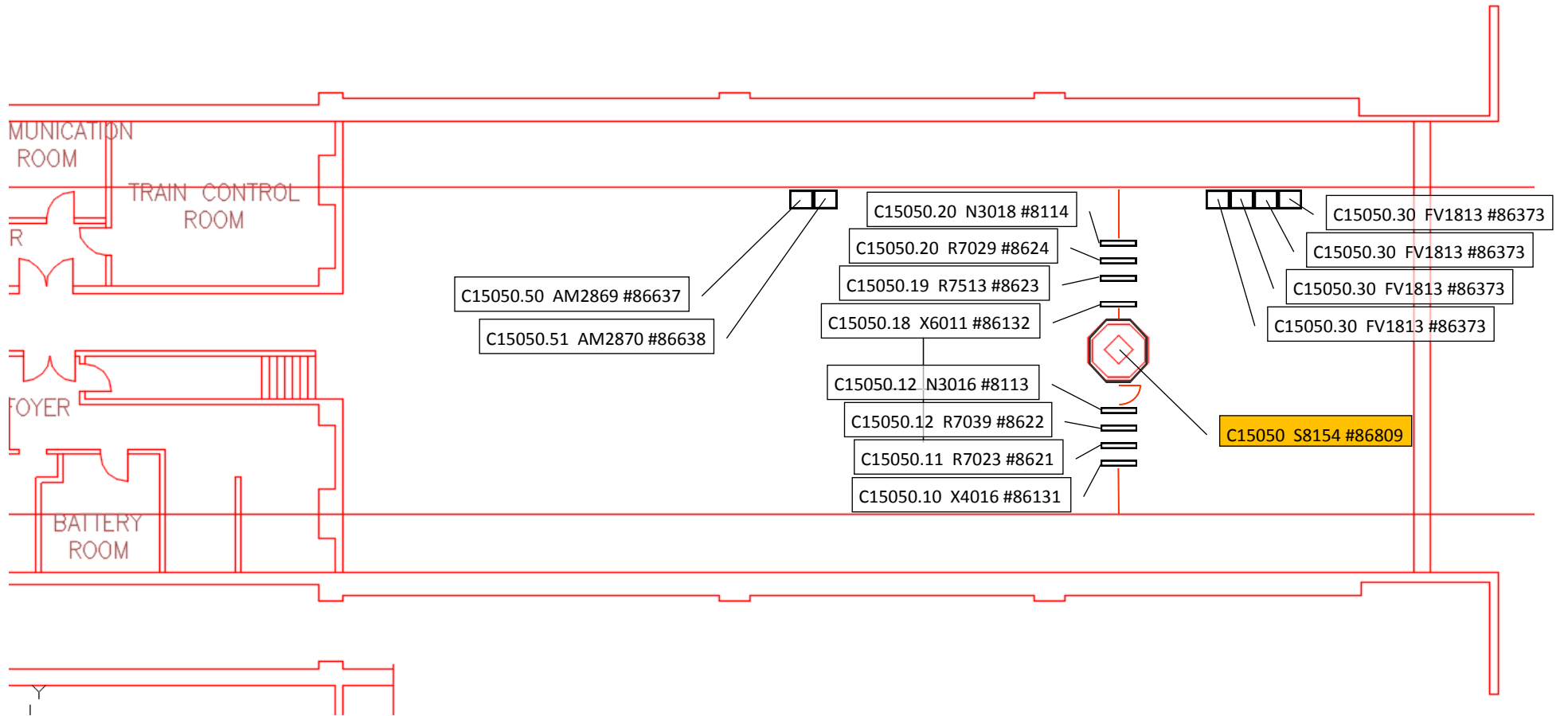


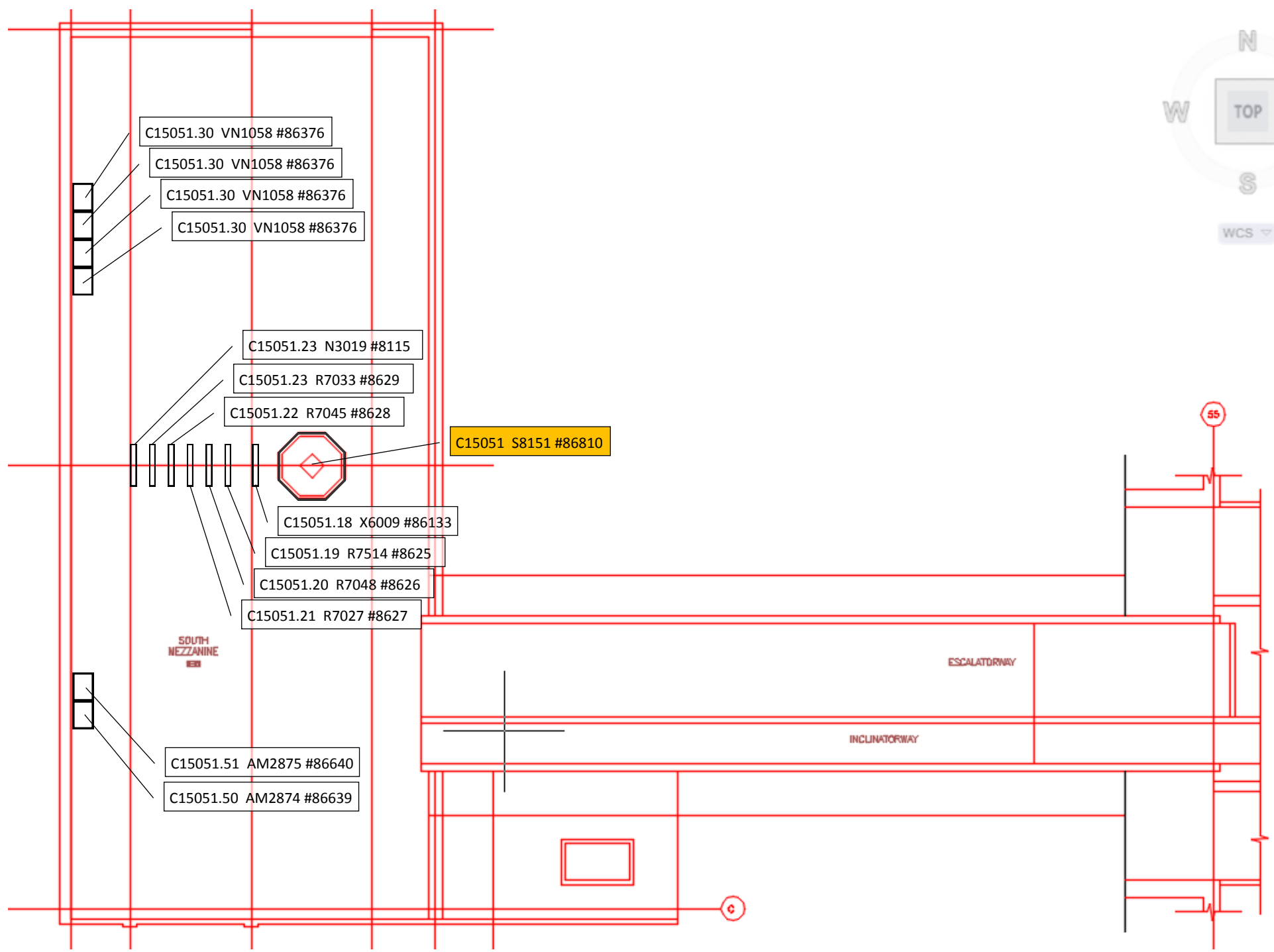












- C15051.30 VN1058 #86376
- C15051.30 VN1058 #86376
- C15051.30 VN1058 #86376
- C15051.30 VN1058 #86376

- C15051.23 N3019 #8115
- C15051.23 R7033 #8629
- C15051.22 R7045 #8628

C15051 S8151 #86810

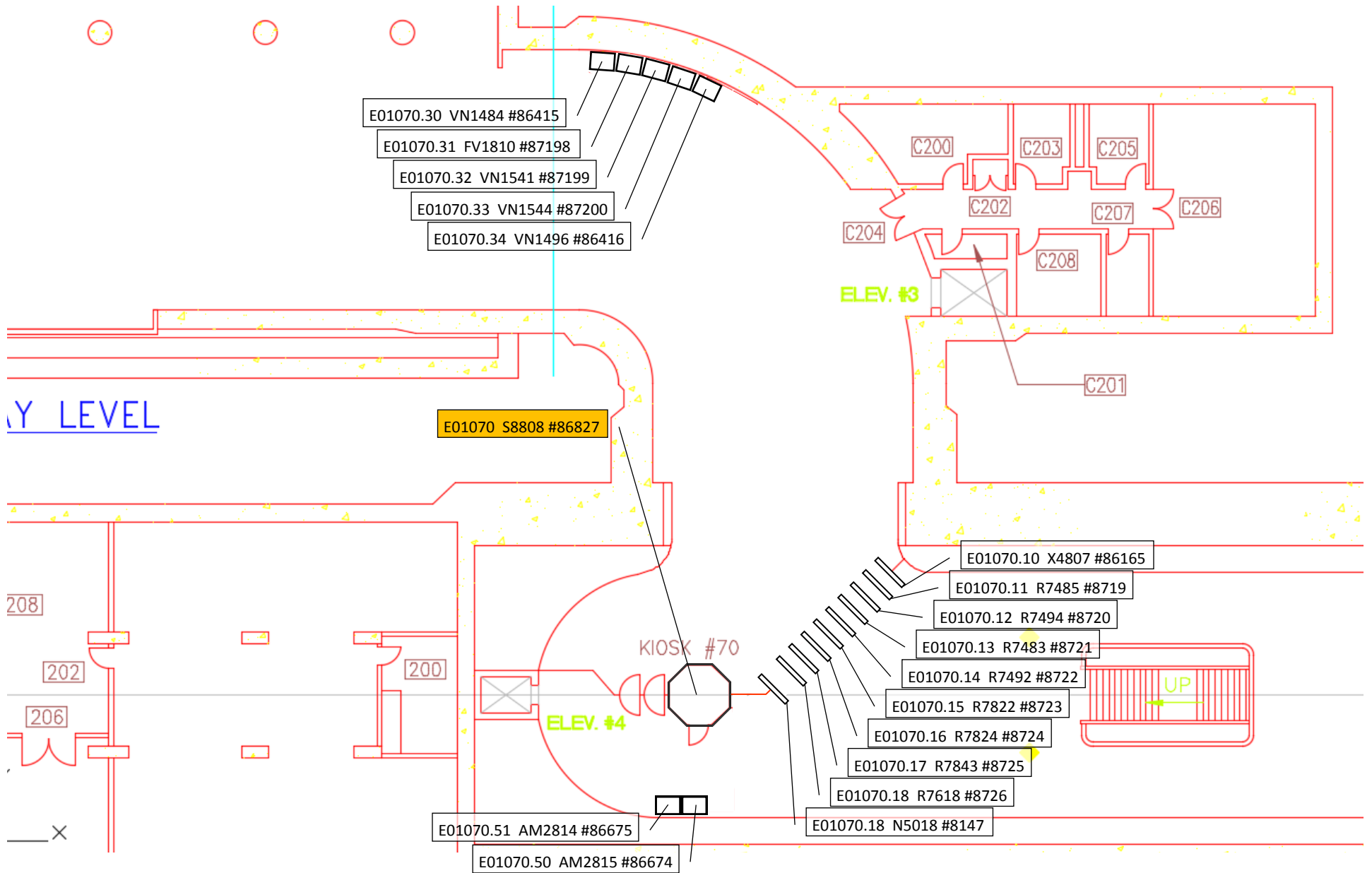
- C15051.18 X6009 #86133
- C15051.19 R7514 #8625
- C15051.20 R7048 #8626
- C15051.21 R7027 #8627

SOUTH MEZZANINE

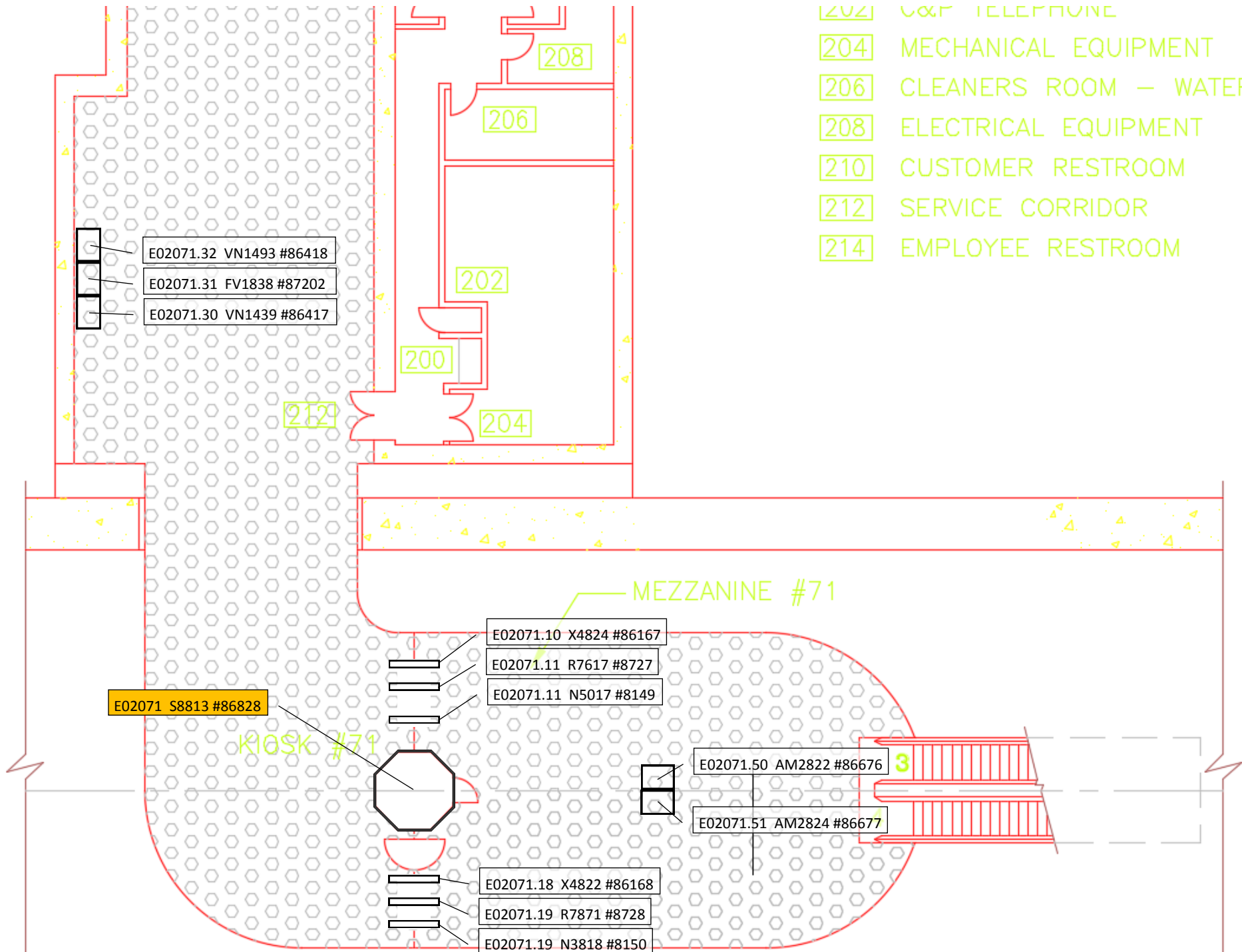
ESCALATORWAY

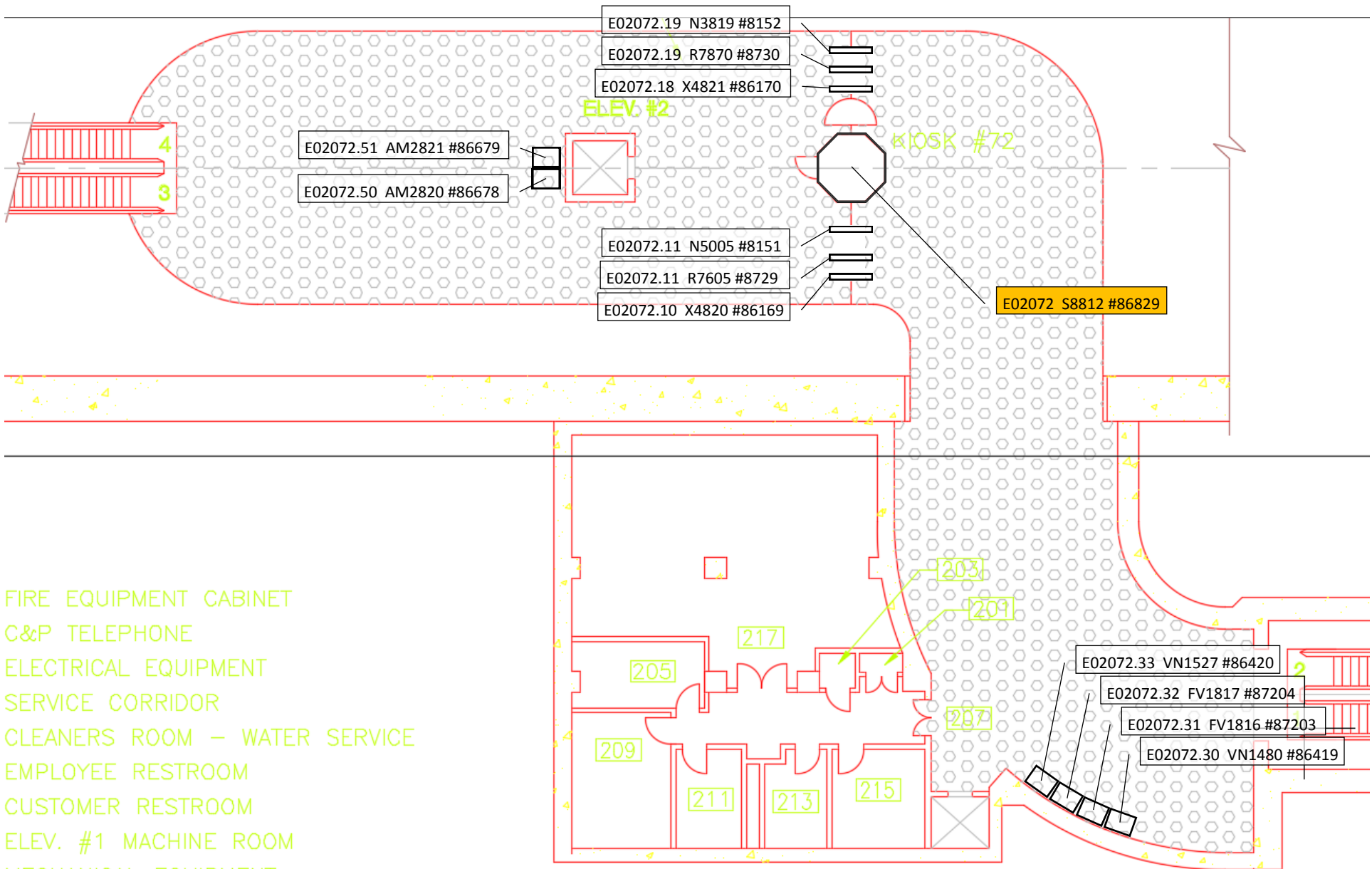
INCLINATORWAY

- C15051.51 AM2875 #86640
- C15051.50 AM2874 #86639



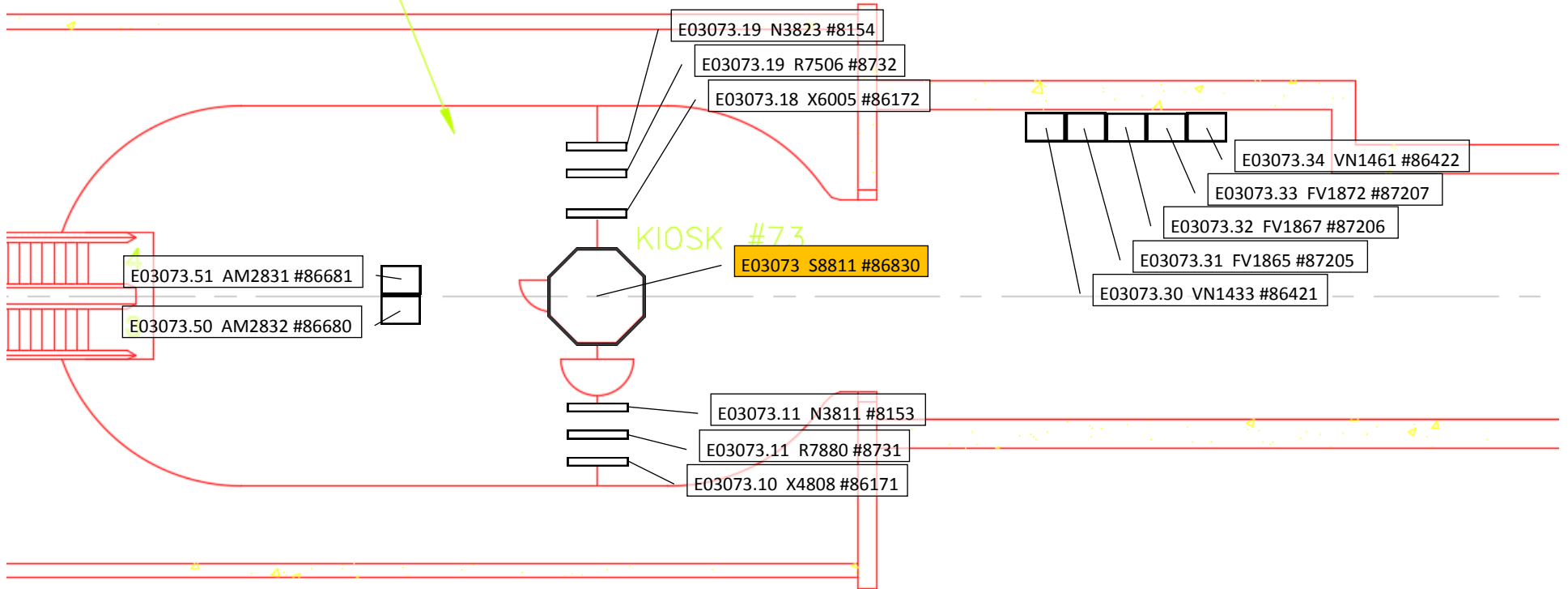
- [202] V&P TELEPHONE
- [204] MECHANICAL EQUIPMENT
- [206] CLEANERS ROOM – WATER
- [208] ELECTRICAL EQUIPMENT
- [210] CUSTOMER RESTROOM
- [212] SERVICE CORRIDOR
- [214] EMPLOYEE RESTROOM





FIRE EQUIPMENT CABINET  
 C&P TELEPHONE  
 ELECTRICAL EQUIPMENT  
 SERVICE CORRIDOR  
 CLEANERS ROOM – WATER SERVICE  
 EMPLOYEE RESTROOM  
 CUSTOMER RESTROOM  
 ELEV. #1 MACHINE ROOM  
 MECHANICAL EQUIPMENT

MEZZANINE #73



MEZZANI

